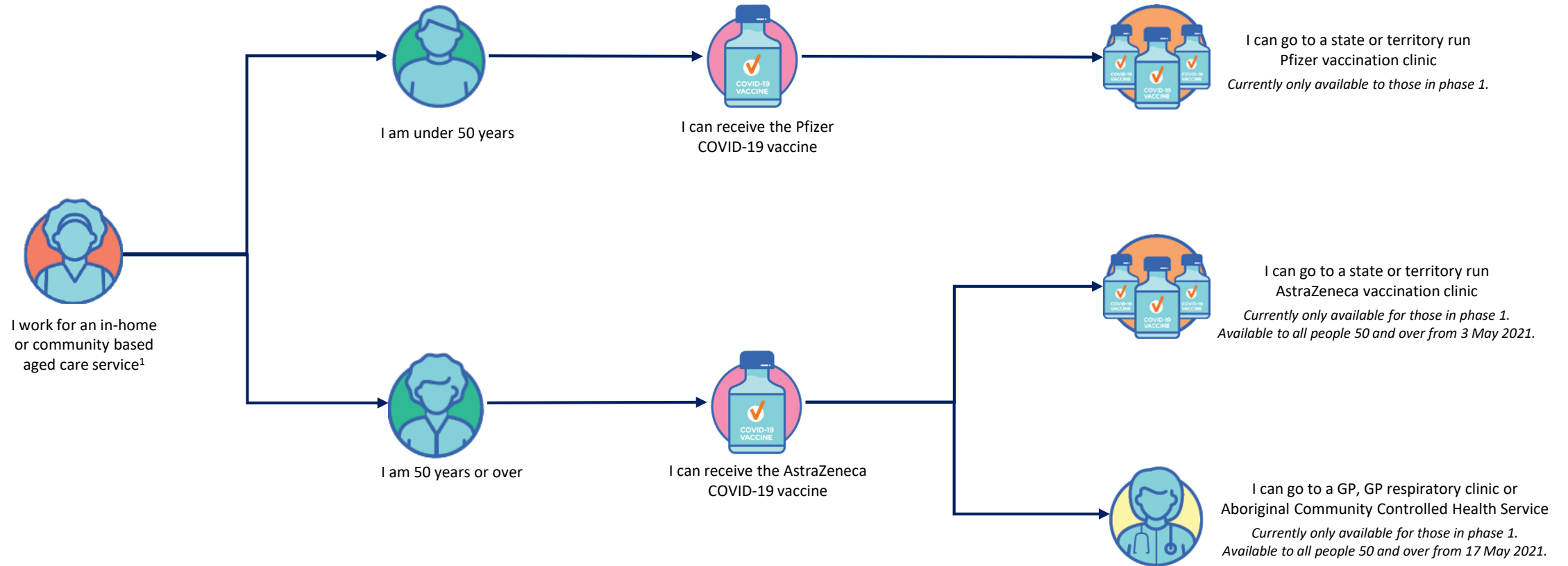


# How in-home and community aged care workers can get a COVID-19 vaccination



<sup>1</sup>If you live in a rural or remote residential aged care community, you will be advised if you can receive your vaccine as part of a whole of community vaccination clinic.